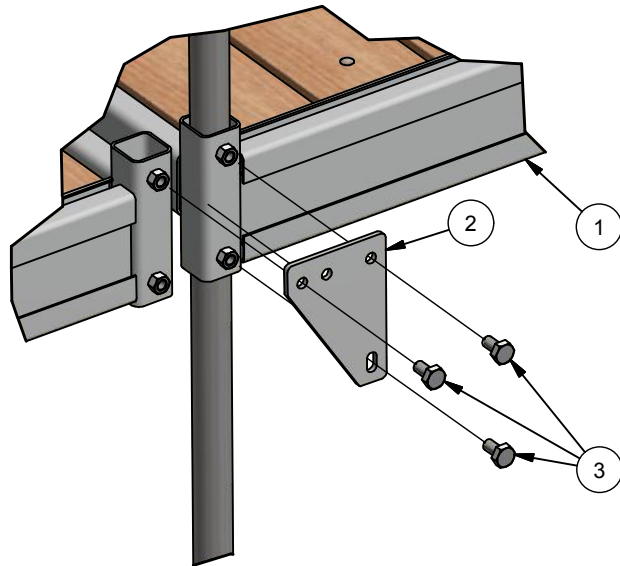
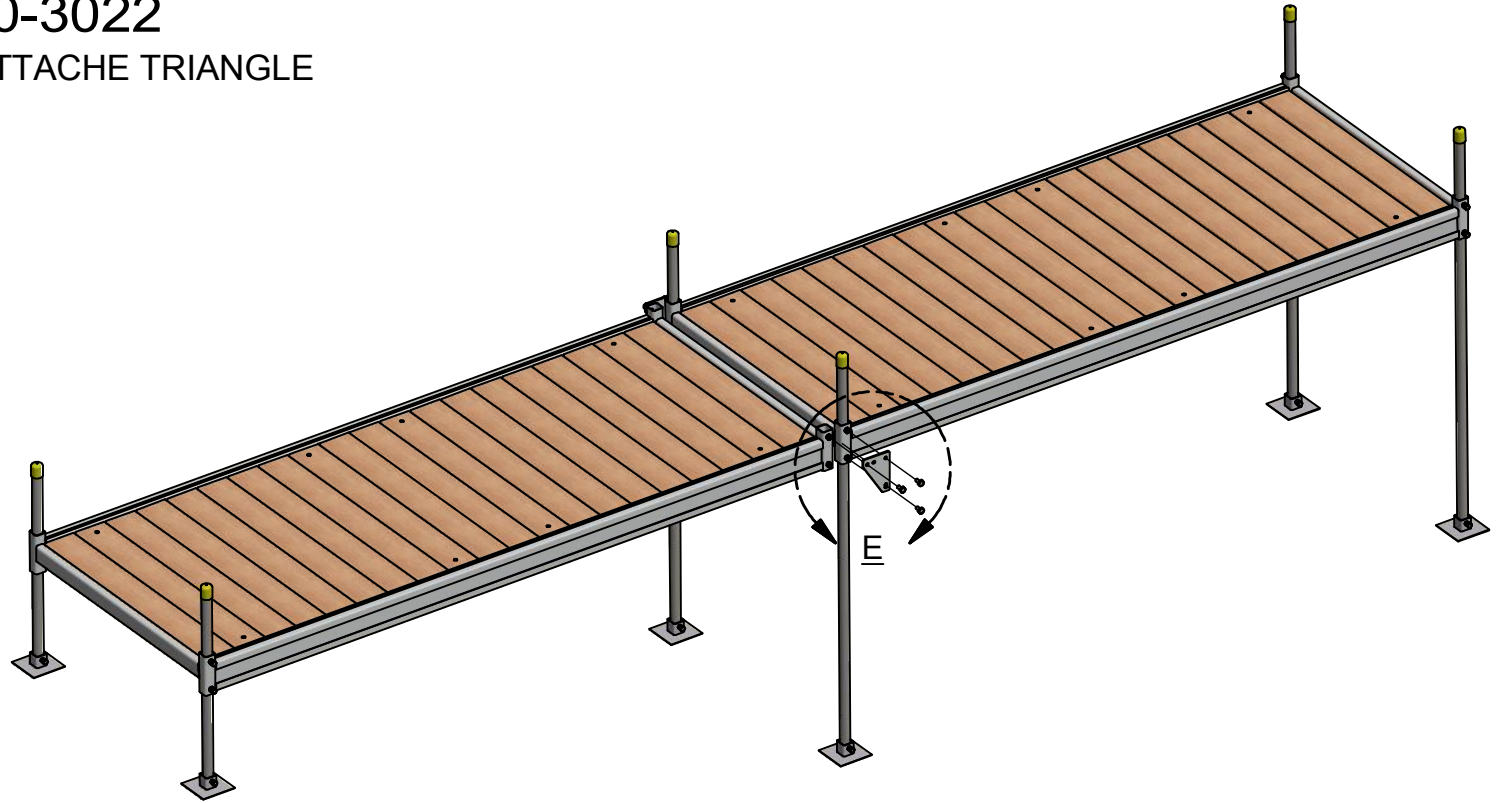


WWW.DOCKS.COM

# 10-3022 ATTACHE TRIANGLE



DETAIL E

|      |                                       |             |     |
|------|---------------------------------------|-------------|-----|
| 3    | BOULON / BOLT 1/2-13 x 1"             | 31-0303     | 3   |
| 2    | ATTACHE TRIANGLE / TRIANGLE CONNECTOR | 10-3022     | 1   |
| Item | DESCRIPTION                           | No. Dessins | Qté |