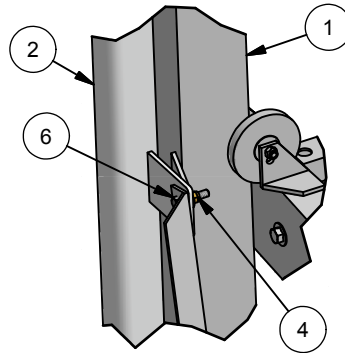




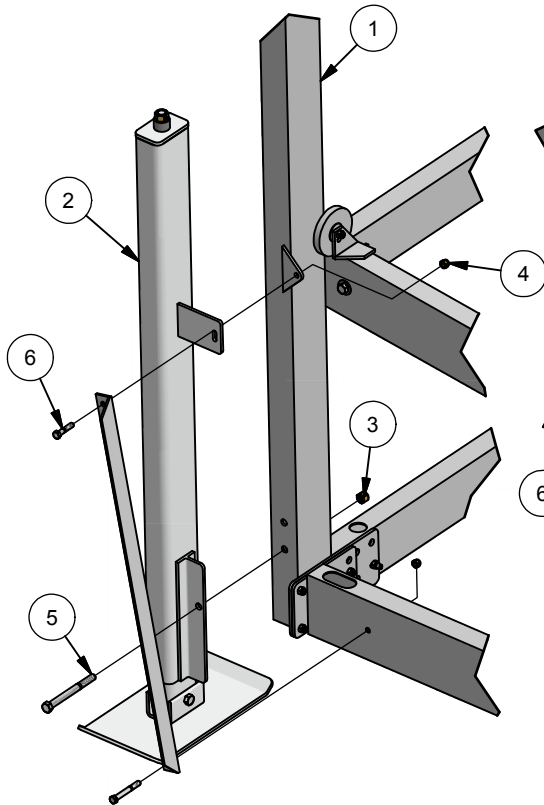
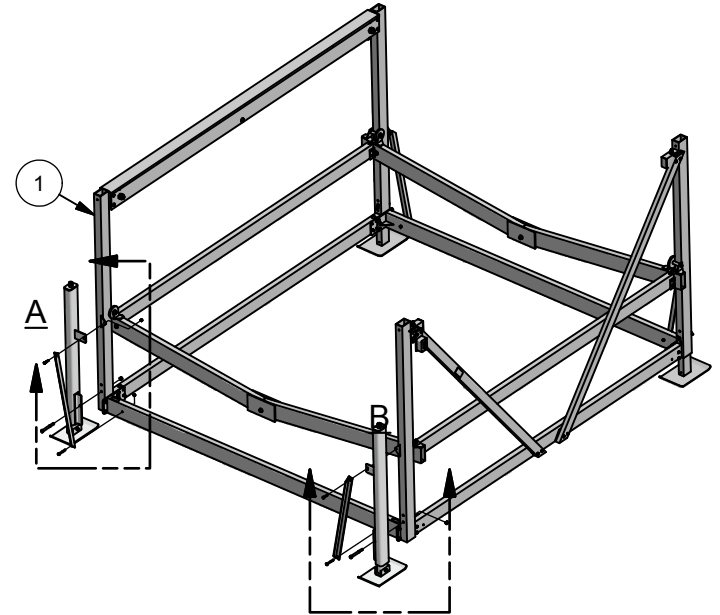
WWW.DOCKS.COM

60-2052

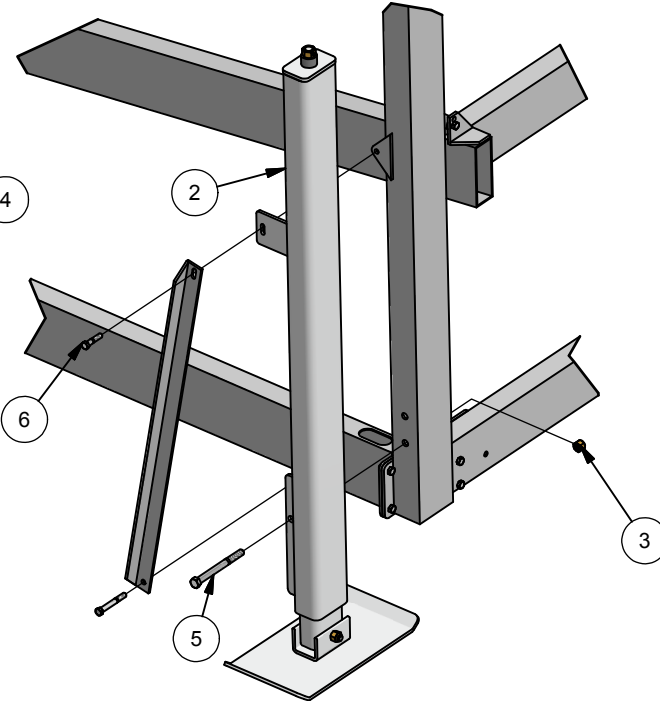
PATTE AJUSTABLE / AJUSTABLE LEG 42"



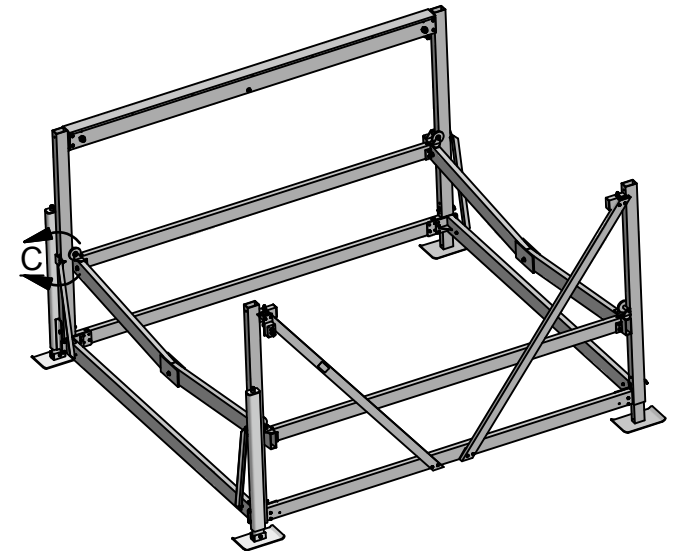
DETAIL C



DETAIL A



DETAIL B



6	BOULON / BOLT 3/8-16 x 1 3/4"	31-0206	2
5	BOULON / BOLT 1/2-13 x 5 1/2"	31-0321	2
4	ECROU NYLON / LOCK NUT 3/8-16	32-0003	2
3	ECROU NYLON / LOCK NUT 1/2-13	32-0004	2
2	PATTE AJUSTABLE / AJUSTABLE LEG 42"	60-2052	2
1	ÉLÉVATEUR / LIFT SERIE 5500-6500-8500		1
Item	DESCRIPTION	No. Dessins	Qté