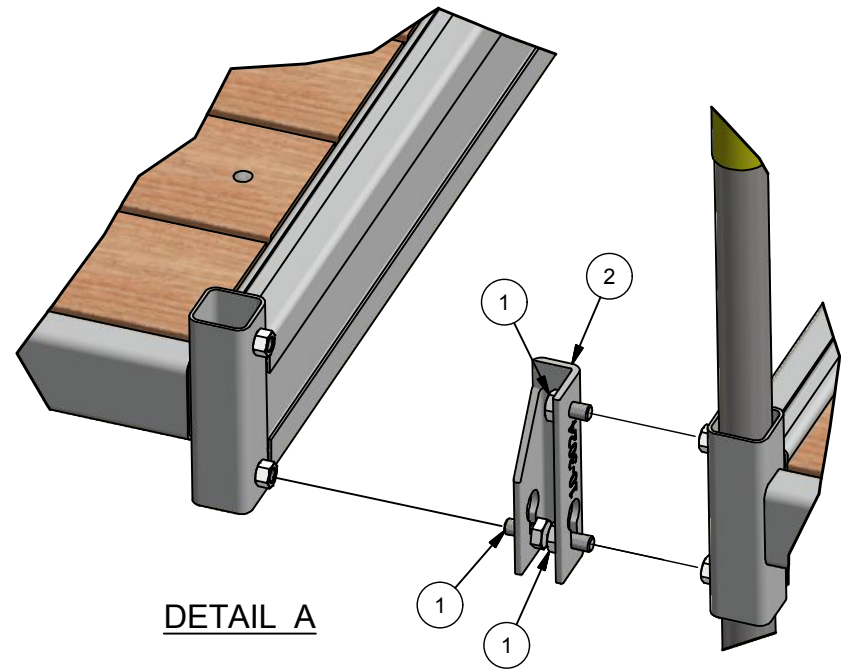
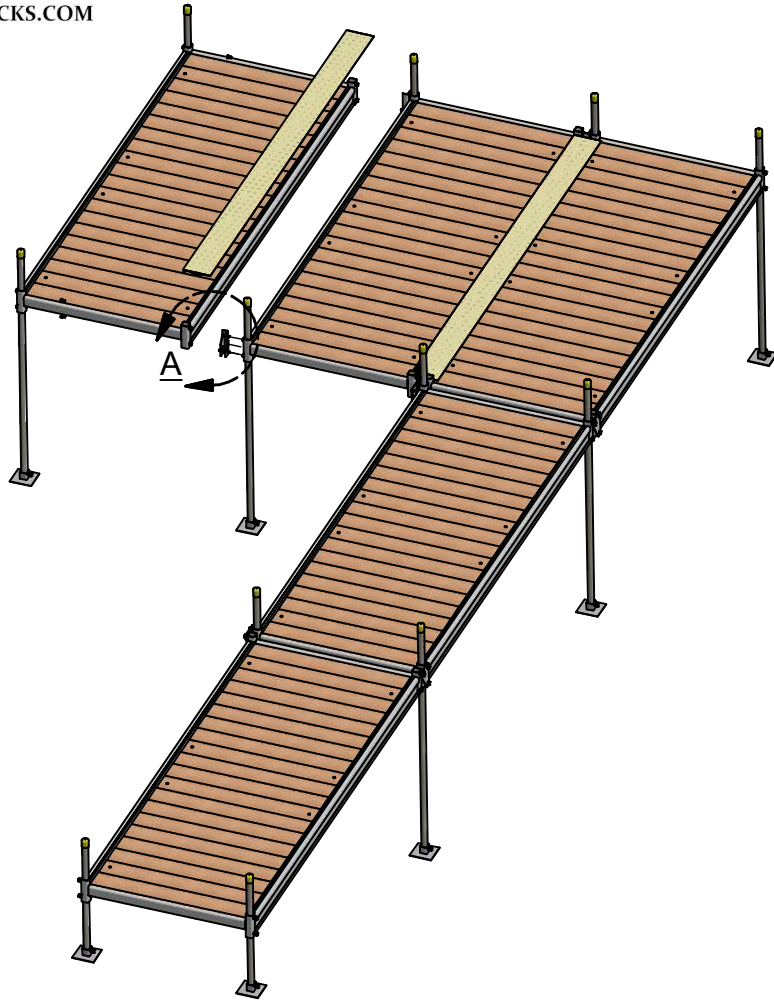


WWW.DOCKS.COM

# 10-3024

## ATTACHE PATIO DROIT RIGHT PATIO CONNECTOR



DETAIL A

2	ATTACHE PATIO DROIT / RIGHT PATIO CONNECTOR	10-3024	1
1	BOULON / BOLT 1/2-13 x 1"	31-0303	3
Item	DESCRIPTION	No. Dessins	Qté