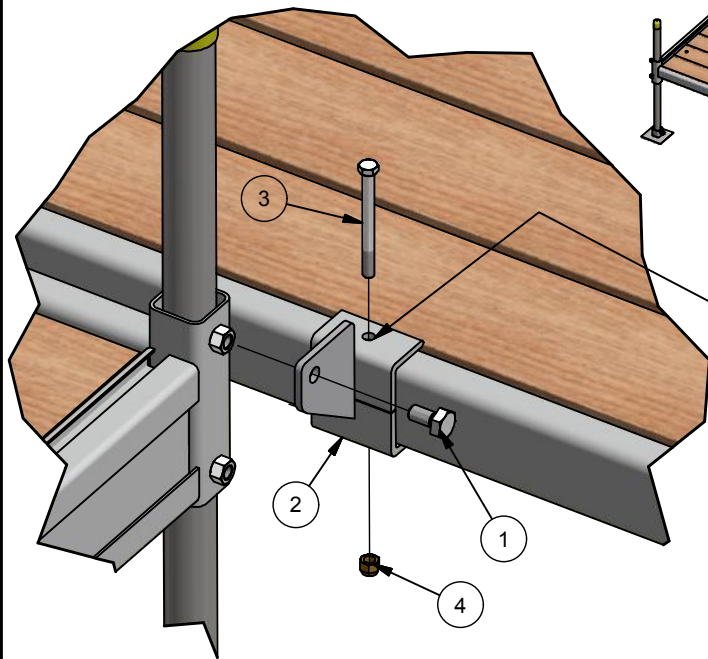
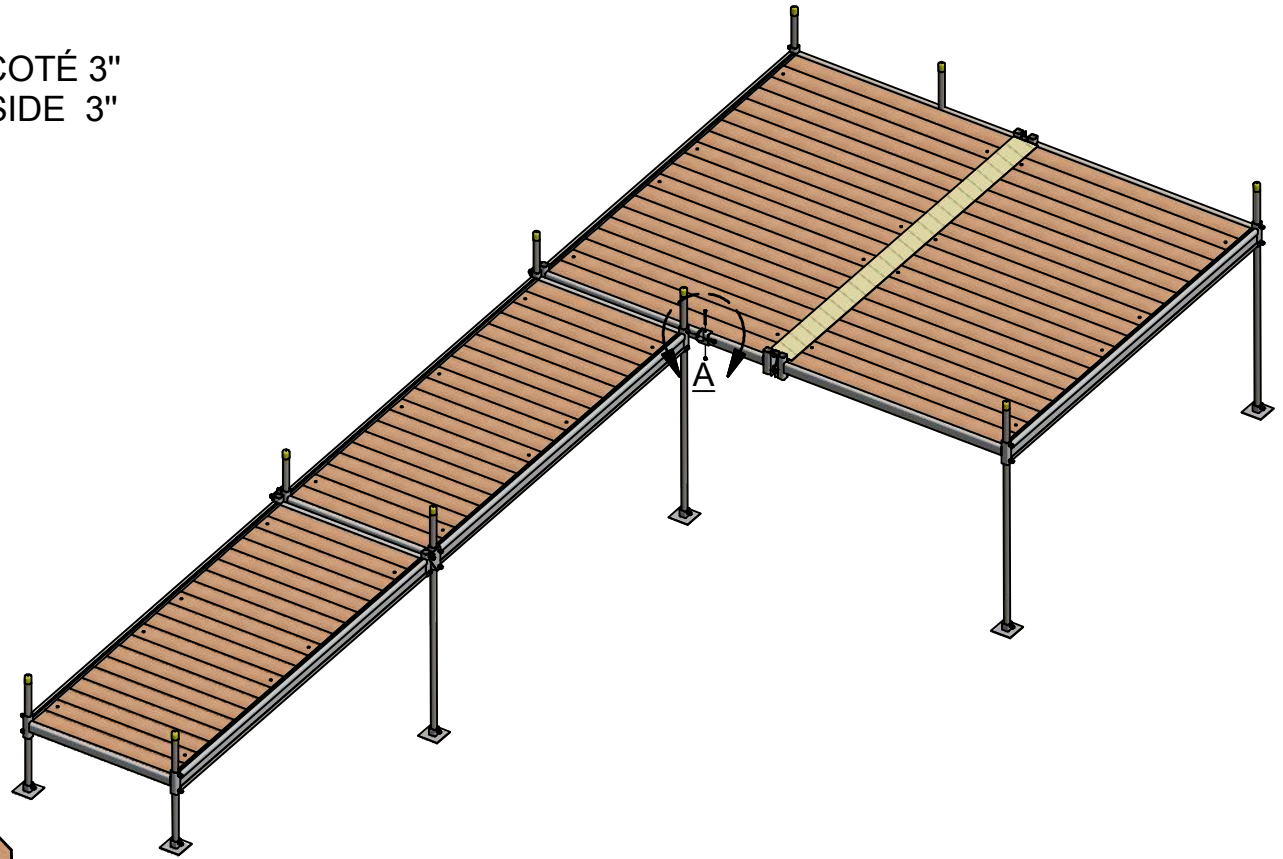


WWW.DOCKS.COM

40-5022

ATTACHE DE COTÉ 3" CONNECTOR SIDE 3"



TROU Ø7/16" À PERCER /
Ø7/16" HOLE TO DRILL

DETAIL A

4	ECROU NYLON / LOCK NUT 3/8-16	32-0003	1
3	BOULON / BOLT 3/8-16 x 4"	31-0215	1
2	ATTACHE DE COTÉ / CONNECTOR SIDE 3"	40-5022	1
1	BOULON / BOLT 1/2-13 x 1"	31-0303	16
Item	DESCRIPTION	No. Dessins	Qté