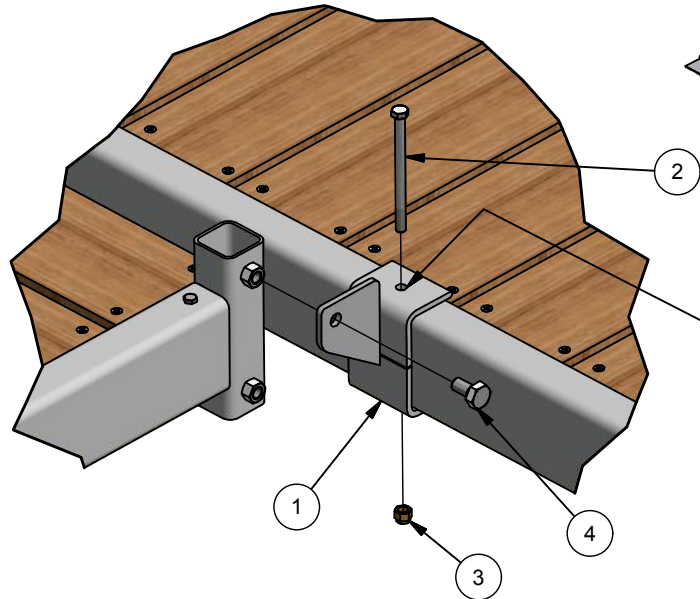
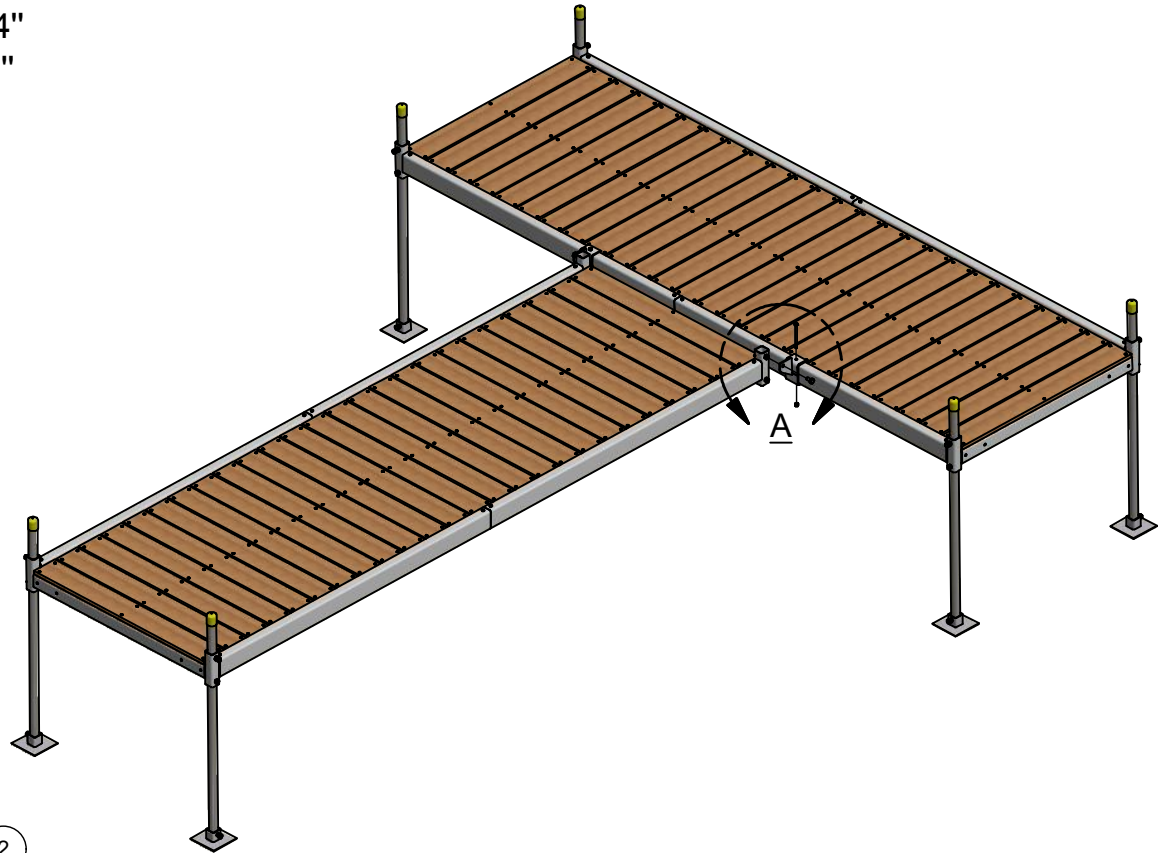




WWW.DOCKS.COM

40-5023

ATTACHE DE COTÉ 4" CONNECTOR SIDE 4"



TROU Ø7/16 À PERCER /
Ø7/16" HOLE TO DRILL

DETAIL A

| 4 | BOULON / BOLT 1/2-13 x 1" | 31-0303 | 2 |
|------|---|-------------|-----|
| 3 | ECROU NYLON / LOCK NUT 3/8-16 | 32-0003 | 2 |
| 2 | BOULON / BOLT 3/8-16 x 5" | 31-0219 | 2 |
| 1 | ATTACHE DE COTÉE 4" / CONNECTOR SIDE 4" | 21-1036 | 4 |
| Item | DESCRIPTION | No. Dessins | Qté |