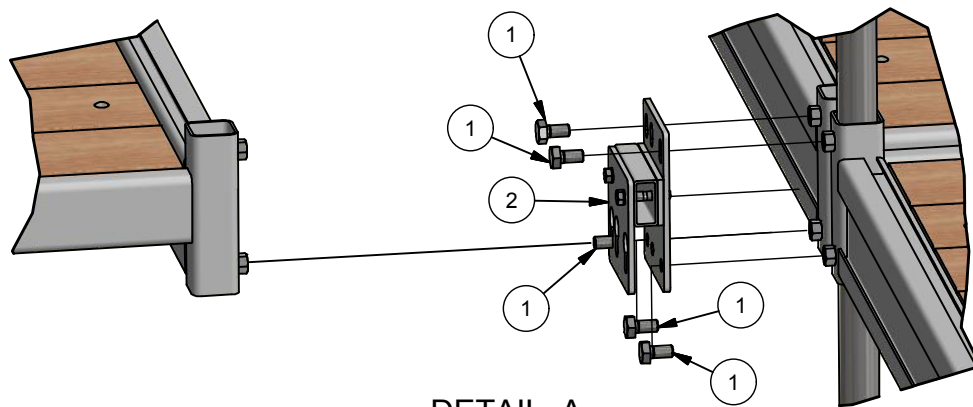
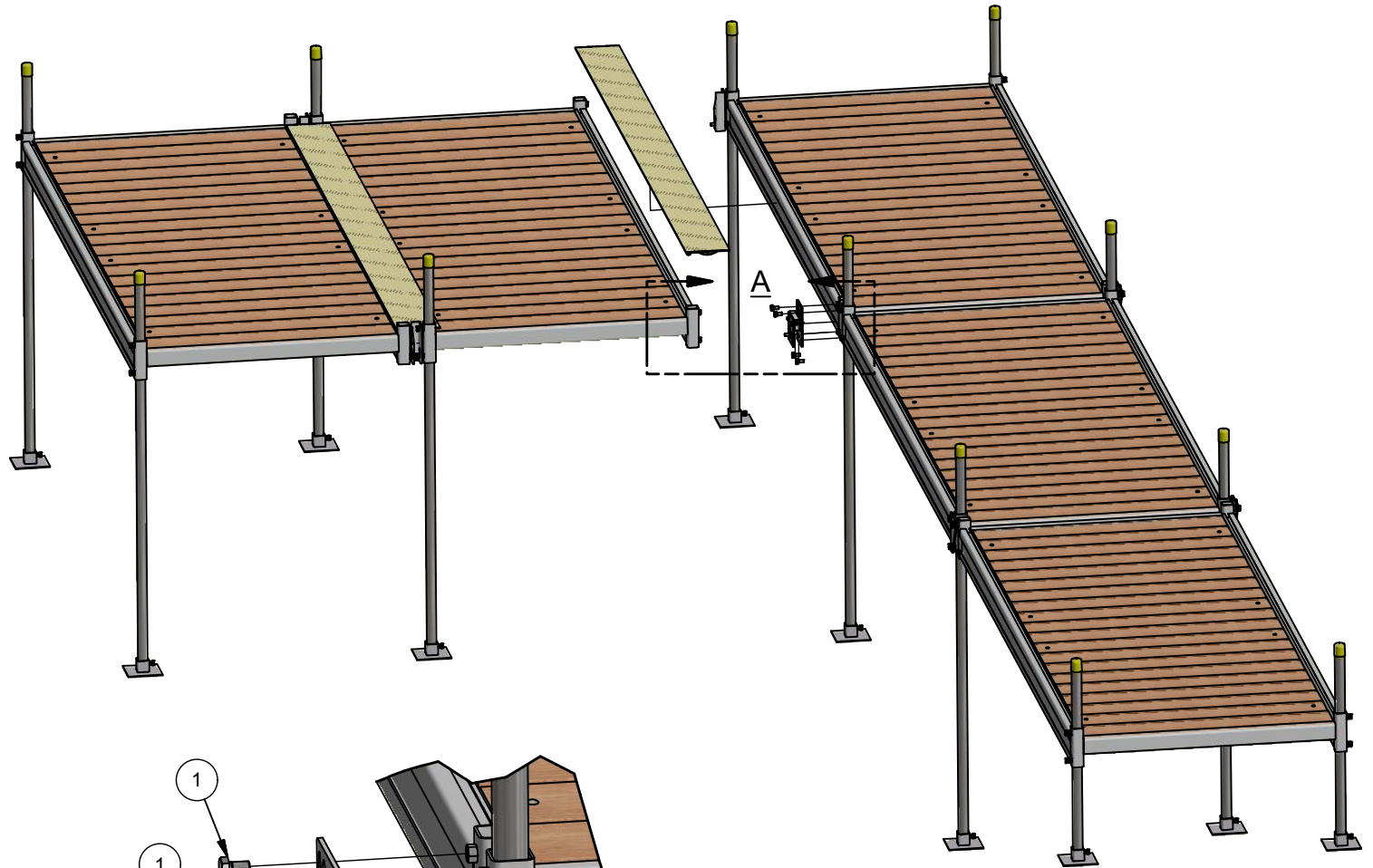




WWW.DOCKS.COM

58-0015

ATTACHE PATIO CARRÉ SQUARE PATIO CONNECTOR



DETAIL A

2	ATTACHE PATIO CARRÉ / SQUARE PATIO CONNECTOR	58-0015	1
1	BOULON / BOLT 1/2-13 x 1"	31-0303	5
Item	DESCRIPTION	No. Dessins	Qté